

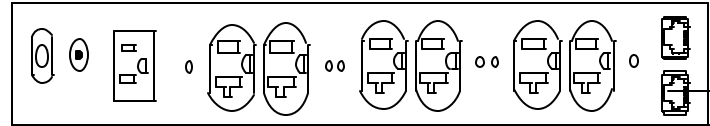


FRONT OF HOUSE

CQ1520

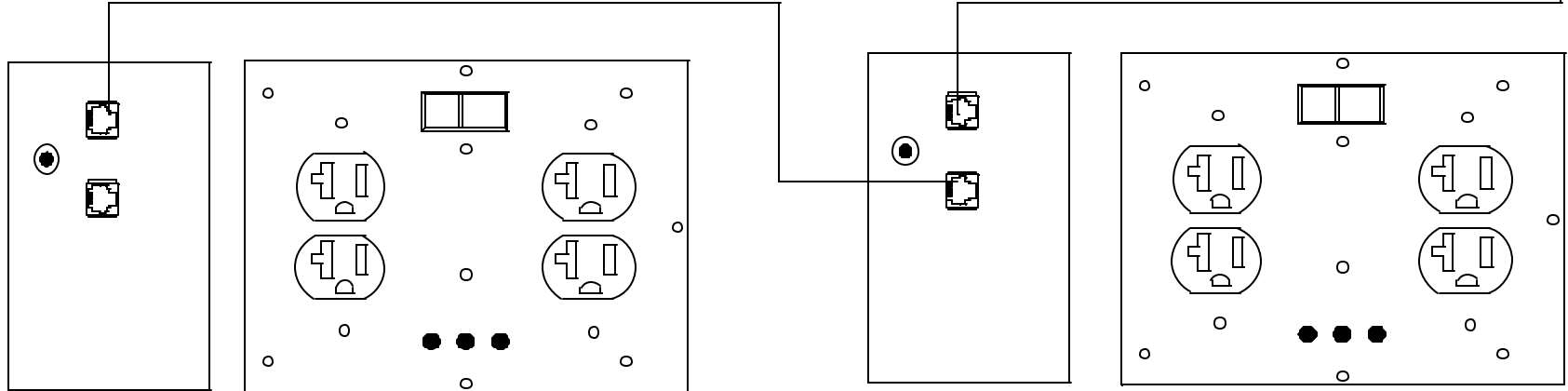


REAR VIEW



AMPLIFIER RACK

6 WIRE RJ-12



CQ2200

SIDE VIEW

The FOH location can be activation with switch on the CQ1520
After 3 sequence events the CQ2200 will turn on in 2 stages
The second CQ2200 is connected to a second 20 amp circuit.



6/10/04

TITLE
**JUICE GOOSE CQ SERIES
POWER SEQUENCING SYSTEM
SMALL MULTI RACK CONFIG**

SIZE	CAGE CODE	DWG NO	REV
A		CQ APP #4	
SCALE	SHEET		

