

JUICE GOOSE™

RT-15

Remote Turn On (Off) Power Module



The Juice Goose RT-15 is a 15 amp, rack mounted power distribution module that can be turned on and off locally and by way of remote contact closure. It also features a dry contact closure on power activation as well as optional, high performance AC power filtration and protection.

The device is intended for application where a) only a single remote circuit needs to be controlled, b) emergency alarms systems require an automatic turn on or turn off and/or c) an output contact closure is required to trigger electronic equipment that may be powered but is operating in a stand-by mode.

LOCAL ACTIVATION ONLY: The RT-15 features a two position terminal on the back of the unit for connection to a dry contact closure. Internally this terminal is connected to a normally open relay and 12 volt power supply. To control the RT-15 only with the switch on the front of the chassis, connect the provided jumper or similar wire between the remote control terminals.

REMOTE FORCED SHUT DOWN WITH LOCAL ACTIVATION: In circumstances where local turn on and off is required along with emergency override shut down, the RT-15 can be forced off by opening the connection on the remote control terminal. Connect the terminals to an emergency alarm normally open relay which will be held closed during normal operation but will open in the event of an alarm. Opening this contact will disconnect power from the control relay and turn off the RT.

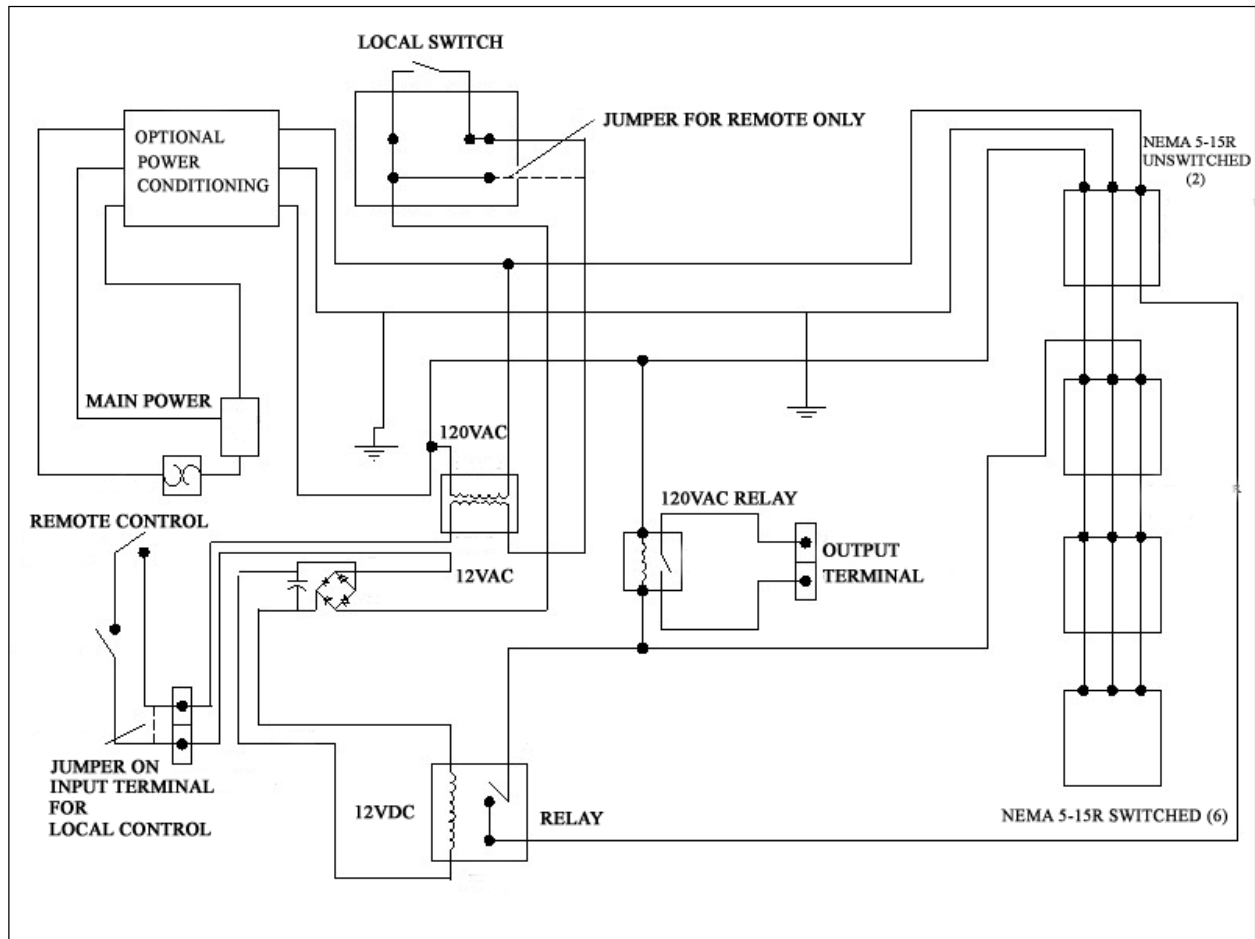
COMPLETE REMOTE ACTIVATION: Should no local control be desired, remove the cover of the RT-15. Follow directions to change the jumper position on the switch selection terminals on the control board. This will disconnect the switch and make a fixed completion of the power control circuit inside the RT-15 chassis. In this configuration, only closing and opening a contact on the remote terminal will activate or deactivate the unit.

In this configuration, a N.O. alarm contact can be wired in line with a control contact. So long as the alarm contact is closed the RT can be turned on and off with the control contact. However, if the alarm contact is opened the control contact is not operative and the RT will not turn on.

ACCESSORY CONTACT CLOSURE: The Accessory Terminal on the back of the RT-15 is attached to a normally open relay inside the chassis. With a 120VAC coil, this relay closes providing a dry contact closure whenever the RTO unit is turned on.

SELF CONTAINED POWER SUPPLY: The RT-15 contains a 12VDC power supply inside the chassis to provide coil latching power for the control relay. No external power supplies are needed other than any required to operate remote control or alarm contacts.

OPTIONAL POWER CONDITIONING: As an optional feature, the RT-15 may contain the Juice Goose RX Series Hybrid AC Filter, which provides 60dB to 80dB of line noise reduction in addition to AC surge protection on both normal (line — neutral) and common (neutral — ground) modes, reducing 6,000 volt strikes to no more than 10 volts. RX Series protection also provides over voltage shutdown and protection against wiring faults.



SPECIFICATIONS

CHASSIS16 Guage, Unibody Design with Reinforced Mounting Brackets
DIMENSIONS (Inches).....1.75H x 19.0W x 7.0D
POWER INPUT CABLE14/3 AWG with NEMA 5-15P
MAX. CURRENT RATING.....15A @ 120VAC, 60Hz

POWER RELAY MAX CURRENT CONTACT RATING.....30A
ACCESSORY RELAY MAX CURRENT CONTACT RATING.....2A

OPTIONAL POWER LINE FILTRATION

TRANSIENT ENERGY ABSORPTION (JOULES).....1020
MAX APPLIED SURGE CURRENT (AMPS).....3000
MAX APPLIED SURGE PULSE VOLTAGE.....6000
LET THROUGH SURGE (VOLTS)
 (L-N).....10
 (N-G).....0.5
LINE NOISE REDUCTION @ 10 MHz.....60dB—80dB



7320 Ashcroft, Suite 104
 Houston, Texas 77081
 713.772.1404
 info@juicegoose.com